

iControl

Signal and facility monitoring

Supported Device Reference Guide

(Preliminary)

M226-0900-109

28 February 2014



A **BELDEN** BRAND

Copyright and Trademark Notice

Copyright © 2001-2014, Miranda Technologies Partnership.

Belden, Belden Sending All The Right Signals, and the Belden logo are trademarks or registered trademarks of Belden Inc. or its affiliated companies in the United States and other jurisdictions. Miranda, iControl, Kaleido-X, Kaleido-K2, Kaleido-Alto, NVision, and Densité are trademarks or registered trademarks of Miranda Technologies Partnership. All rights reserved. Belden Inc., Miranda Technologies Partnership and other parties may also have trademark rights in other terms used herein.

Warranty Policies

Warranty information is available in the Support section of the Miranda Web site (www.miranda.com).

Title	iControl Supported Device Reference Guide
Part Number	M226-0900-109
Revision Date	28 February 2014 6:42 pm

toc

Table of Contents

Supported Devices	1
Overview	1
Routers	1
SNMP Devices	2
Special Devices	2
AKCP	2
sensorProbe8	2
Alpermann + Velte	2
Rubidium Universal Video Data Processor	3
APC	3
AP7900-Series Power Distribution Unit	3
NetBotz 200 Environmental Monitor	3
APC SMART UPS 2200 VA	3
Arris	3
BMR1200 Router (formerly BigBand BMR1200)	4
EGT Dual Pass Encoders (formerly EGT Dual Pass Encoders)	4
EGT HEMi Multi-Channel Edge Encoder (formerly EGT HEMi)	4
ASC Signal Corporation	4
APC400 Antenna Controller Unit	4
Avid	4
AirSpeed5000	4
Axon Digital Design	5
HXH41 HD Converter	6
RR508 — Rack Controller for SFR08	6
RRS18 — Rack Controller for SFR18	6
PBS03 — Dual Channel Relay-Based Back-Up Switcher	6
SDR08 — SD-SD Reclocking Distribution Amplifier (ASI/DVB-Compatible)	6
BigBand	6
Barco	6
Hydra Monitor Wall	6
Cisco	6
D9032 MPEG-2 Encoder	7
D9036 Modular Encoding Platform	7
D9228 Multiple Decryption Receiver	7
D9824 Advanced Multi-Decryption Receiver	7
D9828 Multiple Decryption Receiver	7
D9850 PowerVu Program Receiver	7
D9854 Receiver	7

D9858 Receiver Transcoder	8
DCM 9900 MPEG Processor	8
Crystal Solutions	8
CrystalVision 2000	8
Dantel	8
PointMaster	8
Webmon Edge/Matrix	8
Davicom	8
Davicom MAC PLUS	9
EGT	9
Dothill	9
SAN Controller	9
DVB Control	9
DVBMonitor	9
EMC	9
NAS Network Attached Storage (formerly Isilon NAS Network Attached Storage)	9
Ensemble Designs	10
Avenue Modular Interfaces	10
Envivio	10
4Caster C4 Encoder	10
4Manager	10
Ericsson	10
RX8200-Series Advanced Modular Receiver	11
nCompass Control	11
RX1290 Receiver/Decoder	11
TT1260 Integrated Receiver Decoder	11
TT4130 Transport Stream Analyzer	11
Ericsson iPlex (formerly SkyStream iPlex)	11
Ericsson MediaPlex (formerly SkyStream MediaPlex)	11
Evertz	12
500-Series Frame	12
500FC, 500DA	12
3000FC Frame Controller	12
5600 ACO2 Automatic Changeover	12
5600MSC Master Sync and Clock Generator	12
7867VIPA-DUO	12
7x00-Series Modular Interface	13
Keyer	13
Xenon Routing Switcher	13
EVS	13
XT/XS-Series Video Servers	13
Global Caché	13
GC-100 Network Adapter	13
Grass Valley	13
Trinix	13
Harmonic	14
CID-3100 Decryptor	14

Electra	14
MaxLINK HOA 8030	14
Media Server Systems	14
ProView 2900 Receiver/Decoder	14
ProView 7000 Integrated Receiver-Decoder and Stream Processor	14
Harris (Leitch)	15
IconStatus Channel Branding	15
NetPlus M400 Integrated Receiver/Decoder	15
NetVX Contribution Encoder	15
Panacea Routing Switcher	15
Hewlett Packard	15
P2000 SAN Storage	15
ProLiant DL-Series Enterprise Servers	16
Huawei	16
iManager I2000 NMS System	16
Hy-gain	16
DCU-1	16
IETF	16
HOST-RESOURCES MIB	17
Internet Control Message Protocol (ICMP)	17
MIB-II (RFC 1213)	17
RMON (RFC 2819)	17
IneoQuest	17
IVMS Video Management System	18
Singulus G1-T	18
Infortrend	18
SAN Storage	18
Intel	18
SR-Series Server Systems	18
IRTrans	19
LAN Controller XL Infrared Control System	19
Isilon	19
JDSU	19
MVP-200 MPEG Video Probe	19
Lawo	19
Nova73 Digital Audio Matrix	19
Leitch	20
Met One Instruments	20
50.5 Wind Sensor	20
Microsoft	20
Interactive Program Guide	20
Windows 7	20
Windows® SNMP Agent	20
Miranda	20
iTx HP DL370 G6 Server	21
Kaleido-Alto/Quad	21
Kaleido-K2	21

Kaleido-X 21

NVision NV9000 System Controller 21

Vertigo XG 21

Motorola 21

 APEX 1000 22

 CAP-1000 22

 CP7600 (formerly Terayon CP7600) 22

 DM6400 CherryPicker (formerly Terayon DM6400) 22

 DSR-4410 23

 DSR-4460 23

 DSR-4500X 23

 DSR-4520X 23

 DSR-4530 23

 DSR-4550 23

 DSR-6000 23

 DSR-6050 23

 DSR-6100 23

 DSR-6300 24

 MBT 5000 System 24

 NE-Series AVC Network Encoder 24

 NE-2000 Network Encryptor 24

 SE-6000 24

 OM-1000 Modulator 24

 SE-Encoder 24

 SE-2000 Encoder 24

 SE-1010/2000/2000IP 24

 SE-4000/4010 25

 SE-5000/5010 25

 SmartStream Encryptor/Modulator (SEM) 25

 SmartStream Transport Multiplexer (TMX 2010) 25

Net Insight 25

 Nimbra680 Network Adaptor 26

Network Electronics Inc. 26

Nevion (Network Electronics Inc.) 26

 GYDA-SC Multi-frame System Controller 26

 Multicon Nwork 26

PESA Switching Systems (QuStream Group) 26

 Cheetah, Tiger, Jaguar, Cougar, Ocelot, Bobcat, and TDM3000 (SNM 35V3) 27

Phoenix Broadband Technologies (PBT) 27

 ContactAgent GPI 27

Pinnacle Data Systems Inc. (PDSI) 27

 DS130 27

QLogic 27

 SAN Fiber Channel Switches 28

Quest Controls Inc. 28

 TELSEC RM/WM-Series Controller 28

RGB Networks	28
BNP Broadcast Network Processor	28
MMC Modular Media Converter	28
SEP 48 Simulcast Edge Processor	28
Riedel	29
Artist Intercom System	29
Rohde & Schwarz	29
AEM100 Emission Multiplexer	29
Exciter	29
Ross Video Production Technology	29
openGear Frame and Modules	29
Samsung	30
ME-B Series Commercial Display Monitors	30
Screen Subtitling Systems Ltd.	30
Polistream Subtitling Product Family	30
SeaChange	30
MediaServer 1200 Multi-Channel SD/HD Video Server	30
SPOT Ad Insertion System	31
BML Servers	31
MCL Codec Servers	31
VOD Server	31
Sencore	31
MRD 3187B Receiver/Decoder	31
ServerTech	31
Switched CDU	31
SkyStream	32
Snell	32
Snell Routers	32
Snell IQ Modular Interfaces	32
Sony	32
CART+	32
9-pin VTR Control (serial control)	32
Statmon	33
Acess Remote Control (RC) System	33
Studer	33
Studer Route 6000	33
Tampa Microwave	33
Tandberg Television	33
Tektronix	34
Medius Application Manager	34
MTM400 MPEG TS Monitor	34
Sentry Video Quality Monitor	34
WFM 7200 Waveform Monitor	34
WVR-Series Waveform Rasterizer	35
Terayon	35
Thales Defense & Security, Inc.	35
VC1800 Carrier Monitoring System	35

TSL (Television Systems Ltd.) 35
 MDU Mains Distribution Unit 35
T-VIPS 36
 TVG-Series Gateways/CP-Series Processors 36
Videoframe Inc. 36
 VF0037 GPI VNODE 36
 37
Wegener Communications 37
 DTV720 Transport Stream Multiplexer 37
XOR Media (formerly SeaChange [Broadcast Division]) 37
 BML Servers 37
 MCL Codec Servers 37
 VOD Server 38

Contact Us..... 39

Supported Devices

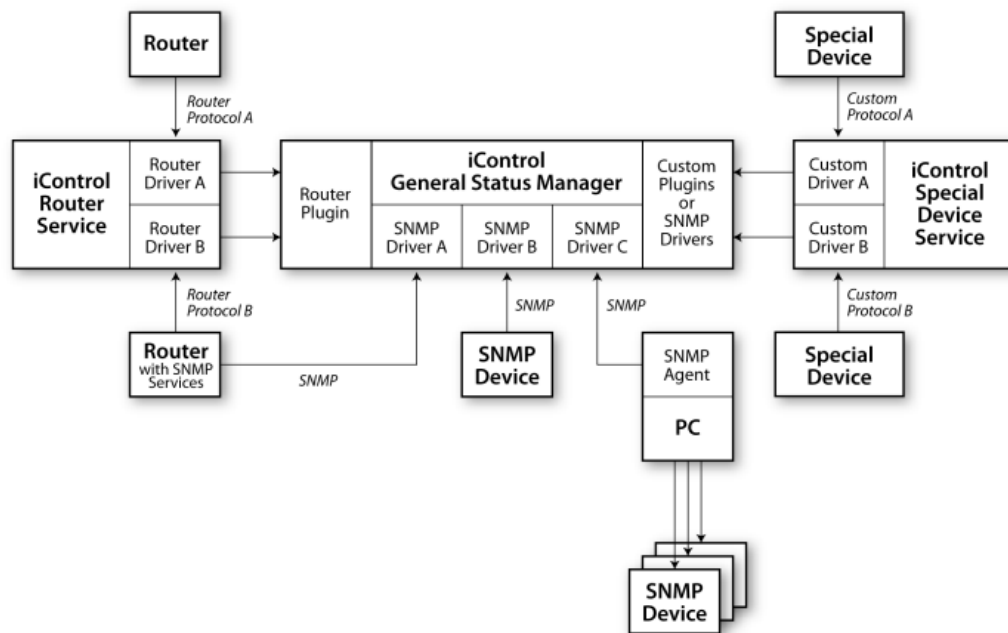
The purpose of this document is to provide an overview of the devices supported by iControl, including specific details on available alarms and their parameters.

Overview

iControl is capable of monitoring and controlling a large and growing number of devices, that fall into three categories:

- routers
- SNMP devices
- special devices

The diagram below shows how each category interfaces with iControl:



Routers

Router manufacturers implement proprietary protocols to enable control of their equipment. iControl's Router Service uses custom Miranda drivers to communicate with various routers using their native protocol. In addition to managing router control, the iControl Router Service

is also able to publish router status and other information to the iControl GSM's router plug-in. This plug-in is responsible for collecting, displaying, and updating router status in the GSM.

Some routers are also SNMP-enabled, and can send alarms to the iControl GSM. A specific SNMP driver is available for each router type.

SNMP Devices

This broad category covers any hardware or software that is able to send SNMP traps. For each supported device, an SNMP driver exists that enables some or all of the available SNMP parameters to be captured and displayed in the GSM.

In some cases, iControl interfaces to a software application that itself is used to manage a distinct set of equipment. The third party software, running on a PC or other hardware controller, usually has an SNMP agent that can be configured to send status and/or alarm messages. For each such agent, an SNMP driver exists that enables some or all of the available SNMP parameters to be captured and made available via the GSM.

Special Devices

Where particularly complex devices are to be monitored by iControl, a Special Device service exists to manage the flow of information. The status and alarm information from these devices may use SNMP, HTTP or any of a number of other protocols. Custom drivers are available for these multi-protocol devices, enabling custom GUI displays to be created within iControl.

AKCP

Ordering information

Hardware	New in iControl version	GSM plug-in name	Order number
"sensorProbe8"	4.30	SNMP – AKCP sensorProbe8	IC-SNMP-138

sensorProbe8

The AKCP sensorProbe8 safeguards your infrastructure, resources and investment from external disaster before it happens. The sensorProbe8 is a high-speed, accurate and intelligent monitoring device and a completely embedded host with a proprietary Linux like OS which includes TCP/IP stack, a built in web-server and full Email and SNMP functionality.

Alpermann + Velte

Ordering information

Hardware	New in iControl version	GSM plug-in name	Order number
"Rubidium Universal Video Data Processor"		SNMP – Alpermann+Velte Rubidium	IC-SNMP-091

Rubidium Universal Video Data Processor

Modular multi-format video time code and metadata processor.

APC

Ordering information

Hardware	New in iControl version	GSM plug-in name	Order number
"AP7900-Series Power Distribution Unit"		SNMP – APC AP7900	IC-SNMP-095
"NetBotz 200 Environmental Monitor"	5.00	SNMP – APC NetBotz200	IC-SNMP-197
"APC SMART UPS 2200 VA"	4.30	SNMP – APC Smart-UPS 2200	IC-SNMP-158

AP7900-Series Power Distribution Unit

Standalone 19-inch rack-mountable data-line surge suppression for network, telecommunication and PC system protection.

NetBotz 200 Environmental Monitor

Over-the-network environmental monitor (humidity, temperature, door contact, dry contact, etc.).

APC SMART UPS 2200 VA

The APC Smart-UPS 2200 VA (tower or rack unit) protects critical data by supplying reliable, network-grade power in either traditional tower or rack- optimized convertible form factor.

Arris

Ordering information

Hardware	New in iControl version	GSM plug-in name	Order number
"BMR1200 Router (formerly BigBand BMR1200)"		SNMP – BigBand BMR1200	IC-SNMP-153
"EGT Dual Pass Encoders (formerly EGT Dual Pass Encoders)"	4.40	SNMP – Arris EGT Dual-Pass Encoders	IC-SNMP-194
"EGT HEMi Multi-Channel Edge Encoder (formerly EGT HEMi)"	4.40	SNMP – Arris EGT HEMI Multi-Channel Edge Encoder	IC-SNMP-193

BMR1200 Router (formerly *BigBand BMR1200*)

The Arris Broadband Multimedia-Service Router BMR1200 is a platform for network delivery of video services.

EGT Dual Pass Encoders (formerly *EGT Dual Pass Encoders*)

The Arris dual-pass encoders are two-pass encoders with analog and digital SDI inputs and simultaneous ASI and IP output.

EGT HEMi Multi-Channel Edge Encoder (formerly *EGT HEMi*)

The Arris EGT HEMi is a multi-channel encoder with IP-to-IP, and ASI-to-IP. It provides data on audio, video and program services, as well as a stream information.

ASC Signal Corporation

Ordering information

Hardware	New in iControl version	GSM plug-in name	Order number
"APC400 Antenna Controller Unit"		SNMP – APC400 Antenna Controller	IC-SNMP-220

APC400 Antenna Controller Unit

The APC400 Antenna Control Unit is an antenna controller that provides basic point, maintenance, and optional tracking functions for small and medium-sized earth station antennas. The APC400 provides the user with control over basic motorization kits for earth station satellites by utilizing a simple liquid crystal display (LCD) front panel interface and powerful software protocol options. The software protocols can be manipulated through remote control.

Avid

Ordering information

Hardware	New in iControl version	GSM plug-in name	Order number
"AirSpeed5000"	5.00	SNMP – Avid Airspeed5000	IC-SNMP-221

AirSpeed5000

The AirSpeed 5000 server takes on a wide range of applications for broadcasters of any size. Building on a legacy of innovative workflow-enabling servers, AirSpeed 5000 adds cost-efficient play to air capability, slow motion playback and support for third party editing systems. Peerless Avid workflow integration, open design, and codec agility provide the ease, speed, and flexibility essential for long term broadcast success.

Axon Digital Design

The Axon frames RRS08 (version 34) and RRS18 (version 34) as well as many of Axon's family of modular interfacing and conversion cards are supported by iControl, as follows:

- **2HX10** (version 21): Dual-channel HD/SD integrity-checking probe
- **CDV29** (version 03): Analog distribution amplifier with 9 outputs and synapse reference points
- **DLA41** (version 06): 8-channel (5.1/2.0) digital audio upmixer/downmixer - with Quad Speed audio bus (based on Linear Acoustic algorithms)
- **DLA42** (version 05): 8-channel digital audio loudness control unit
- **DLA43** (version 06): 8-channel (5.1/2.0) digital audio loudness control - with Quad Speed audio bus (based on Linear Acoustic algorithms)
- **GDR26** (version 07): 3Gb/s, HD, and SD dual input distribution amplifier with 3 reclocked outputs per channel (ASI/DVB compatible)
- **HDR07** (version 04): HD/SD reclocking distribution amplifier
- **HEP10** (version 100): HD-, SD-embedded domain Dolby E-to-PCM decoder with audio shuffler (3Gb/s upgradeable)
- **HPD13** (version 100): HD-, SD-embedded domain PCM+AD to Dolby Digital (Plus) encoder with audio shuffler and audio description processor
- **HRB99** (version 080): HD/SD digital audio de-embedder, re-embedder, embedded domain shuffler with S2020 metadata insertion
- **HXT10** (versions 300, 330, 390): Dual HD input frame synchronizer, down converter, embedder, CVBS encoder
- **PBS03** (version 06): Dual channel relay-based backup switcher with signal integrity checking
- **SDN09** (version 07): SD-SDI Non-reclocking dual channel distribution amplifier (ASI/DVB compatible)
- **SDN08** (version 07): SD-SDI Non-reclocking distribution amplifier (ASI/DVB compatible)

Ordering information

Hardware	New in iControl version	GSM plug-in name	Order number
"HXH41 HD Converter"		SNMP – Axon HXH41	IC-SNMP-147
"RRS08 — Rack Controller for SFR08"	4.30	SNMP – Axon RRS08, RRS18, PBS03, SDR08	IC-SNMP-144
"RRS18 — Rack Controller for SFR18"			
"PBS03 — Dual Channel Relay-Based Back-Up Switcher"			
"SDR08 — SD-SD Reclocking Distribution Amplifier (ASI/DVB-Compatible)"			

HXH41 HD Converter

RRS08 — Rack Controller for SFR08

RRS18 — Rack Controller for SFR18

PBS03 — Dual Channel Relay-Based Back-Up Switcher

SDR08 — SD-SD Reclocking Distribution Amplifier (ASI/DVB-Compatible)

The SDR series provide a range of distribution amplifiers with flexible input and output variations. The SDR08 reclocks the input signal. The SDR08 is a 1 to 8 distribution amplifiers compatible with ASI/DVB.

BigBand

Please see ["Arris"](#), on page 3.

Barco

Ordering information

Hardware	New in iControl version	GSM plug-in name	Order number
"Hydra Monitor Wall"	4.30	SNMP – BARCO Hydra	IC-SNMP-140

Hydra Monitor Wall

Cisco

Ordering information

Hardware	New in iControl version	GSM plug-in name	Order number
"D9228 Multiple Decryption Receiver"		SNMP – Cisco D9228	IC-SNMP-171
"D9828 Multiple Decryption Receiver"		SNMP – Cisco D9828	IC-SNMP-032

Ordering information (*Continued*)

Hardware	New in iControl version	GSM plug-in name	Order number
"D9850 PowerVu Program Receiver"		SNMP – Cisco D9850	IC-SNMP-024
"D9032 MPEG-2 Encoder"		SNMP – Cisco D9032	IC-SNMP-132
"D9036 Modular Encoding Platform"	4.40	SNMP – Cisco D9036	IC-SNMP-177
"D9854 Receiver"		SNMP – Cisco D9854	IC-SNMP-169
"D9858 Receiver Transcoder"		SNMP – Cisco D9858	IC-SNMP-126
"DCM 9900 MPEG Processor"		SNMP – Cisco DCM9900	IC-SNMP-116

D9032 MPEG-2 Encoder

D9036 Modular Encoding Platform

The D9036 is a modular encoding platform, providing multi-resolution, multi-format encoding for applications requiring high levels of video quality.

D9228 Multiple Decryption Receiver

The PowerVu D9228 receives, demodulates, and decrypts multiple encrypted MPEG-2/DVB digital programs delivered via satellite or DVB-ASI interface.

D9824 Advanced Multi-Decryption Receiver

The PowerVu D9828 receives, demodulates, and decrypts multiple encrypted MPEG-2/DVB digital programs from satellite or terrestrial sources, and outputs decoded composite video and balanced audio for monitoring purposes.

D9828 Multiple Decryption Receiver

The PowerVu D9828 receives, demodulates, and decrypts multiple encrypted MPEG-2/DVB digital programs from satellite or terrestrial sources, and outputs decoded composite video and balanced audio for monitoring purposes.

D9850 PowerVu Program Receiver

The PowerVu D9850 decodes 4:2:0 video for satellite content distribution applications. It can receive digitally encrypted video, audio, utility data, and Vertical Blanking Interval (VBI) data.

D9854 Receiver

D9858 Receiver Transcoder

DCM 9900 MPEG Processor

Crystal Solutions

Ordering information

Hardware	New in iControl version	GSM plug-in name	Order number
"CrystalVision 2000"		SNMP – CrystalVision 2000	IC-SNMP-021

CrystalVision 2000

Network Management and Control System for INSP integrated devices; provides a centralized monitoring capability for uplink and downlink equipment (satellite monitoring).

Dantel

Ordering information

Hardware	New in iControl version	GSM plug-in name	Order number
"PointMaster"	5.00	SNMP – Dantel PointMaster	IC-SNMP-218
"Webmon Edge/Matrix"	5.00	SNMP – Dantel Webmon Edge / Matrix	IC-SNMP-219

PointMaster

Webmon Edge/Matrix

Davicom

Ordering information

Hardware	New in iControl version	GSM plug-in name	Order number
"Davicom MAC PLUS"		SNMP – Davicom MAC Plus	IC-SNMP-001

Davicom MAC PLUS

Standalone monitoring and control unit able to interface with virtually any type of remote site equipment and sensors.

EGT

Please see ["Arris"](#), on page 3.

Dothill

Ordering information

Hardware	New in iControl version	GSM plug-in name	Order number
"SAN Controller"	5.00	SNMP – Dothill SAN Controller	IC-SNMP-198

SAN Controller

DVB Control

Ordering information

Hardware	New in iControl version	GSM plug-in name	Order number
"DVBMonitor"			IC-SNMP-222

DVBMonitor

EMC

Ordering information

Hardware	New in iControl version	GSM plug-in name	Order number
"NAS Network Attached Storage (formerly Isilon NAS Network Attached Storage)"		SNMP – Isilon NAS	IC-SNMP-142

NAS Network Attached Storage (formerly *Isilon NAS Network Attached Storage*)

EMC Isilon scale-out NAS storage consolidates and manages enterprise data and applications.

Ensemble Designs

Ordering information

Hardware	New in iControl version	GSM plug-in name	Order number
"Avenue Modular Interfaces"		SNMP – Ensemble Design Avenue	IC-SNMP-087

Avenue Modular Interfaces

Modular video and audio interfaces; expandable, modular tray based signal integration system. Provides signal processing, infrastructure and control.

Envivio

Ordering information

Hardware	New in iControl version	GSM plug-in name	Order number
"4Caster C4 Encoder"		SNMP – Envivio 4Caster C4	IC-SNMP-133
"4Manager"	5.00	SNMP – Envivio 4Manager	IC-SNMP-217

4Caster C4 Encoder

Envivio 4Caster C4 is an encoding/transcoding appliance.

4Manager

Ericsson

Ordering information

Hardware	New in iControl version	GSM plug-in name	Order number
"nCompass Control"		SNMP – Ericsson/Tandberg nCompass	IC-SNMP-081
"RX1290 Receiver/Decoder"		SNMP – Ericsson/Tandberg RX1290	IC-SNMP-121
"RX8200-Series Advanced Modular Receiver"	4.30	SNMP – Ericsson/Tandberg RX8200	IC-SNMP-151
"TT1260 Integrated Receiver Decoder"		SNMP – Ericsson TT1260	IC-SNMP-005
"TT4130 Transport Stream Analyzer"		SNMP – Ericsson TT4130	IC-SNMP-122

Ordering information (*Continued*)

Hardware	New in iControl version	GSM plug-in name	Order number
"Ericsson iPlex (formerly SkyStream iPlex)"		SNMP – Ericsson/Tandberg iPlex	IC-SNMP-172
"Ericsson MediaPlex (formerly SkyStream MediaPlex)"		SNMP – Ericsson/Tandberg MediaPlex	IC-SNMP-173

RX8200-Series Advanced Modular Receiver

The RX8200 Advanced Modular Receiver decodes video and offers connectivity for a wide range of transmission media.

nCompass Control

nCompass Control offers service providers a means to manage Ericsson's full range of video headend systems and broadcast products.

RX1290 Receiver/Decoder

The RX1290 is a multi-format SD/HD integrated receiver/decoder, capable of decoding all video formats. The RX1290 is compatible with MPEG-2, MPEG-4 AVC, SD, and HD and can decode both 4:2:0 and 4:2:2 video.

TT1260 Integrated Receiver Decoder

The TT1260 is a professional grade IRD able to decode MPEG-2 SD 4:2:2 video. The TT1260 has dual SDI output, dual analog BNC outputs, remote control via SNMP or Web page, and CAM menu browsing via Web browser.

TT4130 Transport Stream Analyzer

The TT4130 Transport Stream Analyzer combines advanced error detection and monitoring via a Web interface in a 3RU multi-channel unit for MPEG-2 and MPEG-4 AVC transport streams.

The TT4130 offers a compact multi-channel transport stream analyzer with a wide range of input interface options making it suitable for use in a range of markets: cable, satellite, terrestrial, mobile, distribution and contribution.

Ericsson iPlex (*formerly SkyStream iPlex*)

The iPlex is a high density, multi-functional video processing platform designed for telco, cable and satellite operators delivering IPTV over DSL infrastructure.

Ericsson MediaPlex (*formerly SkyStream MediaPlex*)

The Mediaplex-20 video processing platform is a multi-function, carrier-grade IPTV headend.

Evertz

Ordering information

Hardware	New in iControl version	GSM plug-in name	Order number
"500-Series Frame"	4.03	SNMP – Evertz 500	IC-SNMP-128
"500FC, 500DA"		SNMP – Evertz 500 (FC + DA)	IC-SNMP-129
"3000FC Frame Controller"		SNMP – Evertz 3000	IC-SNMP-130
"5600 ACO2 Automatic Changeover"	4.30	SNMP – Evertz MSC5600 ACO2	IC-SNMP-136
"5600MSC Master Sync and Clock Generator"	4.30	SNMP – Evertz MSC5600	IC-SNMP-189
"7867VIP-A-DUO"			IC-SNMP-235
"7x00-Series Modular Interface"		SNMP – Evertz 7700	IC-SNMP-042
"Keyer"	5.00	SNMP – Evertz Keyer	IC-SNMP-212
"Xenon Routing Switcher"		SNMP – Evertz Xenon	IC-SNMP-090

500-Series Frame

The Evertz 500FR Compact Distribution Frame is a 3RU front-loading frame designed to house up to 16 single slot modules.

500FC, 500DA

The 500FC VistaLINK® Frame Controller card enables communication with VistaLINK® 500-series modules via a 10/100BASE-TX Ethernet port. The 500FC handles all SNMP communications between a frame and a network management system, and serves as a gateway to individual cards in the frame.

3000FC Frame Controller

5600 ACO2 Automatic Changeover

5600MSC Master Sync and Clock Generator

7867VIP-A-DUO

The 7867VIP Advanced is a multi-image display processor.

7×00-Series Modular Interface

The Evertz 7×00-Series multiframes enable video and audio processing and distribution of HDTV, SDTV and analog signals.

Keyer

Xenon Routing Switcher

Multi-format video routing switchers

EVS

Ordering information

Hardware	New in iControl version	GSM plug-in name	Order number
"XT/XS-Series Video Servers"		SNMP – EVS X-Series	IC-SNMP-185

XT/XS-Series Video Servers

XT- and XS-series video servers are production servers designed with advanced security features such as RAID technology, redundant and hot-swappable power supplies to guarantee no operational failures during production.

Global Caché

GC-100 Network Adapter

The GC-100 Network Adapter connects a network utilizing TCP/IP to infrared (IR), serial, relay and sensor inputs that can interrupt or be polled by another network device.

Grass Valley

Ordering information

Hardware	New in iControl version	GSM plug-in name	Order number
"Trinix"		SNMP – Grass Valley Trinix	IC-SNMP-092

Trinix

Routing switchers.

Harmonic

Ordering information

Hardware	New in iControl version	GSM plug-in name	Order number
"CID-3100 Decryptor"		SNMP – Harmonic CID-3100	IC-SNMP-105
"Electra"	5.00	SNMP – Harmonic Electra	IC-SNMP-211
"MaxLINK HOA 8030"		SNMP – Harmonic EDFA HOA8030	IC-SNMP-100
"Media Server Systems"		SNMP – Harmonic Media Server	IC-SNMP-026
"Proview 2900 Receiver/Decoder"		SNMP – Harmonic ProView 2900	IC-SNMP-119
"ProView 7000 Integrated Receiver-Decoder and Stream Processor"		SNMP – Harmonic ProView 7000/7100	IC-SNMP-119

CID-3100 Decryptor

Electra

MaxLINK HOA 8030

The Harmonic MAXLink™ HOA 8030 is a Video Optical Amplifier designed to provide optical amplification of 1550 nm RF video signals in FSAN compliant passive optical networks.

Media Server Systems

Proview 2900 Receiver/Decoder

ProView 7000 Integrated Receiver-Decoder and Stream Processor

Harris (Leitch)

Ordering information

Hardware	New in iControl version	GSM plug-in name	Order number
"IconStatus Channel Branding"	4.30	SNMP – Harris IconStation	IC-SNMP-148
"NetPlus M400 Integrated Receiver/Decoder"	4.30	SNMP – Harris NetPlus M400	IC-SNMP-156
"NetVX Contribution Encoder"		SNMP – Harris NetVx Frame	IC-SNMP-157
"Panacea Routing Switcher"		SNMP – Harris Panacea	IC-SNMP-096

IconStatus Channel Branding

IconStation is an on-air advanced channel branding system that simplifies the creation, display and maintenance of a consistent brand.

NetPlus M400 Integrated Receiver/Decoder

The NetPlus™ M400 is a broadcast-grade, satellite integrated receiver/decoder (IRD) that supports a wide range of global standards for video and audio compression. It includes DVB-S/S2 demodulation capabilities and inputs for DVB-ASI and IP. Additionally, the NetPlus M400 supports MPEG-2 and H.264 video compression — from the 4:2:2 format to SD and HD formats — as well as MPEG, Dolby® Digital AAC and SMPTE 302 audio systems.

NetVX Contribution Encoder

Panacea Routing Switcher

Hewlett Packard

Ordering information

Hardware	New in iControl version	GSM plug-in name	Order number
"P2000 SAN Storage"		SNMP – HP P2000 SAN Storage	IC-SNMP-199
"ProLiant DL-Series Enterprise Servers"	5.00	SNMP – HP DL Series	IC-SNMP-214

P2000 SAN Storage

ProLiant DL-Series Enterprise Servers

Huawei

Ordering information

Hardware	New in iControl version	GSM plug-in name	Order number
"iManager I2000 NMS System"		SNMP – Huawei I2000 NMS system	IC-SNMP-228

iManager I2000 NMS System

Huawei's iManager I2000 NMS System provides network management solutions covering several fields including voice, data, operational support, and 3G and IMS-integrated service, as well as northern interfaces, to support operators as they construct integrated network management.

Hy-gain

Ordering information

Hardware	New in iControl version	GSM plug-in name	Order number
"DCU-1"	4.10	SERIAL – Hygain DCU1	

DCU-1

The Hygain DCU1 Pathfinder digital control unit is used to control and steer the HAM-V antenna rotator system.

IETF

Ordering information

Hardware	New in iControl version	GSM plug-in name	Order number
"HOST-RESOURCES MIB"		SNMP Host Resource MIB	IC-SNMP-148
"Internet Control Message Protocol (ICMP)"			
"MIB-II (RFC 1213)"		SNMP RFC1213	
"RMON (RFC 2819)"		SNMP RMON	IC-SNMP-002

HOST-RESOURCES MIB

The HOST-RESOURCES MIB, developed by the Internet Engineering Task Force (IETF), is for use in managing host systems. The term *host* is construed to mean any computer that communicates with other similar computers attached to the internet and that is directly used by one or more human beings. Although this MIB does not necessarily apply to devices whose primary function is communications services (e.g., terminal servers, routers, bridges, monitoring equipment), such relevance is not explicitly precluded. This MIB instruments attributes common to all internet hosts including, for example, both personal computers and systems that run variants of Unix.

Internet Control Message Protocol (ICMP)

The Internet Control Message Protocol (ICMP), developed by the Internet Engineering Task Force (IETF), is used by a gateway or destination host to communicate with a source host, for example, to report an error in datagram processing.

MIB-II (RFC 1213)

RFC 1213, developed by the SNMP Working Group of the Internet Engineering Task Force (IETF), defines the second version of the Management Information Base (MIB-II) for use with network management protocols in TCP/IP-based internets. In particular, together with its companion memos which describe the structure of management information (RFC 1155) along with the network management protocol (RFC 1157) for TCP/IP-based internets, these documents provide a simple, workable architecture and system for managing TCP/IP-based internets and in particular the Internet community.

RMON (RFC 2819)

Remote Monitoring (RMON) is an Internet Engineering Task Force (IETF) standard that enables various network monitors and console systems to exchange monitoring data. It is used in telecommunications equipment, such as routers, that implement a MIB (Management Information Base) which supports remote monitoring. RMON uses an agent running on the device being monitored to supply information over SNMP to a monitoring/control system (e.g. iControl).

IneoQuest

Ordering information

Hardware	New in iControl version	GSM plug-in name	Order number
"IVMS Video Management System"	4.40	SNMP – IneoQuest IVMS	IC-INEOQUEST-IVMS
"Singulus G1-T"		SNMP – IneoQuest Singulus	IC-SNMP-085

IVMS Video Management System

The IVMS video management system is a real-time, end-to-end performance monitoring system of video distribution networks.

Singulus G1-T

The Singulus G1-T is an advanced network development & analysis system for media-over-IP enabled networks. The Miranda driver supports the Singulus G1-T video-over-IP probe.

Infortrend

Ordering information

Hardware	New in iControl version	GSM plug-in name	Order number
"SAN Storage"		SNMP – Infortrend SAN Storage	IC-SNMP-200

SAN Storage

Infortrend's storage systems for SAN environments are designed to meet the needs of SMBs and mid-range and large enterprises. Infortrend's SAN storage solutions provide a comprehensive set of data services, including virtualized SAN storage solutions, local and remote replication, and thin provisioning.

Intel

Ordering information

Hardware	New in iControl version	GSM plug-in name	Order number
"SR-Series Server Systems"		SNMP – Intel SR-Series Server Systems	IC-SNMP-201

SR-Series Server Systems

The Intel SR-series server systems are rack-optimized, highly integrated server systems for high-density, energy-efficient applications. This family of server systems have as target applications, high-performance computing, video server, virtualization platform, and general purpose data center building blocks.

IRTrans

Ordering information

Hardware	New in iControl version	GSM plug-in name	Order number
"LAN Controller XL Infrared Control System"		SNMP – IRTrans LAN Controller XL	IC-DR-016

LAN Controller XL Infrared Control System

The IRTrans LAN Controller XL is an infrared LAN controller with eight IR outputs, an RS232 interface, 2 inputs for external receivers, 4 relay outputs, and a 10/100 Mb Ethernet connection.

Isilon

Please see ["EMC"](#), on page 9.

JDSU

Ordering information

Hardware	New in iControl version	GSM plug-in name	Order number
"MVP-200 MPEG Video Probe"		SNMP – JDSU MVP-200	IC-SNMP-162

MVP-200 MPEG Video Probe

Lawo

Ordering information

Hardware	New in iControl version	GSM plug-in name	Order number
"Nova73 Digital Audio Matrix"		SNMP – Lawo Nova73	IC-SNMP-089

Nova73 Digital Audio Matrix

Audio router/encoder.

Leitch

Please see "[Harris \(Leitch\)](#)", on page 15.

Met One Instruments

50.5 Wind Sensor

Automatic Weather System (AWS) wind sensor.

Microsoft

Ordering information

Hardware	New in iControl version	GSM plug-in name	Order number
"Interactive Program Guide"		SNMP – Microsoft IPG Server	IC-SNMP-106
"Windows 7"		SNMP Host Resource MIB	IC-SNMP-135
"Windows® SNMP Agent"			

Interactive Program Guide

Windows 7

Windows® SNMP Agent

The HostResources driver can be used to measure the amount of storage space remaining on a host running Windows. The SNMP Agent component must be enabled first. The alarms are repeated per storage device on the host computer.

Miranda

Ordering information

Hardware	New in iControl version	GSM plug-in name	Order number
"iTx HP DL370 G6 Server"		SNMP – Miranda iTX HP DL Series	
"Kaleido-Alto/Quad"		Kaleido-Alto	
"Kaleido-K2"		Kaleido-K2	
"Kaleido-X"		Kaleido-X	

Ordering information (*Continued*)

Hardware	New in iControl version	GSM plug-in name	Order number
"nVision NV9000 System Controller"		SNMP – nVision NV9000	
"Vertigo XG"	4.40	SNMP – Miranda Vertigo XG (Supermicro)	

iTx HP DL370 G6 Server

Server for iTx's IT-based playout of linear and on-demand television.

Kaleido-Alto/Quad

High-resolution Kaleido-Alto/Quad multi-image display processors.

Kaleido-K2

High-resolution Kaleido-K2: multi-image display processor.

Kaleido-X

High-resolution Kaleido-X multi-image display processor.

nVision NV9000 System Controller

Router control system.

Vertigo XG

Advanced HD/SD graphics processor.

Motorola

Ordering information

Hardware	New in iControl version	GSM plug-in name	Order number
"APEX 1000"		SNMP – Motorola APEX	IC-SNMP-123
"CAP-1000"	4.30	SNMP – Motorola CAP-1000	IC-SNMP-134
"CP7600 (formerly Terayon CP7600)"			
"DM6400 CherryPicker (formerly Terayon DM6400)"		SNMP – Motorola DM 6400	IC-SNMP-175
"DSR-4410"		SNMP – Motorola DSR-4410	IC-SNMP-165
"DSR-4460"	4.30	SNMP – Motorola DSR-4460	IC-SNMP-152
"DSR-4500X"		SNMP – Motorola DSR-4500X	IC-SNMP-022

Ordering information (*Continued*)

Hardware	New in iControl version	GSM plug-in name	Order number
"DSR-4520X"		SNMP – Motorola DSR-4520X	IC-SNMP-017
"DSR-4530"		SNMP – Motorola DSR-4530	IC-SNMP-166
"DSR-4550"	4.40	SNMP – Motorola DSR-4550	IC-SNMP-196
"DSR-6000"		SNMP – Motorola DSR-6000	IC-SNMP-167
"DSR-6050"		SNMP – Motorola DSR-6050	IC-SNMP-117
"DSR-6100"	4.30	SNMP – Motorola DSR-6100	IC-SNMP-131
"DSR-6300"		SNMP – Motorola DSR-6300	IC-SNMP-168
"MBT 5000 System"		SNMP – Motorola MBT5000	IC-SNMP-008
"NE-Series AVC Network Encoder"		SNMP – Motorola NE Encoder	IC-SNMP-160
"NE-2000 Network Encryptor"	4.10	SNMP – Motorola NE2000	IC-SNMP-160
"SE-6000"	4.11	SNMP – Motorola DSR-4530	IC-SNMP-084
"OM-1000 Modulator"		SNMP – Motorola DSR-4530	IC-SNMP-043
"SE-Encoder"		SNMP – Motorola DSR-4530	IC-SNMP-006
"SE-2000 Encoder"		SNMP – Motorola DSR-4530	IC-SNMP-006
"SE-4000/4010"		SNMP – Motorola DSR-4530	IC-SNMP-084
"SE-5000/5010"		SNMP – Motorola DSR-4530	IC-SNMP-084
"SmartStream Encryptor/Modulator (SEM)"		SNMP – Motorola DSR-4530	IC-SNMP-009
"SmartStream Transport Multiplexer (TMX 2010)"		SNMP – Motorola DSR-4530	IC-SNMP-007

APEX 1000

CAP-1000

The Motorola CAP-1000 CherryPicker Application Platform is an advanced IP-centric multiplexer and encoder used to multiplex several SD/HD services encoded in MPEG-2 and MPEG-4 formats.

CP7600 (*formerly Terayon CP7600*)

Multichannel decoder.

DM6400 CherryPicker (*formerly Terayon DM6400*)

The DM6400 is part of the Motorola CherryPicker® line of digital video processing systems for networking, distributing and processing both standard definition (SD) and high definition

(HD) services. It provides various digital video applications including grooming of custom channel lineups, rate shaping and statistical remultiplexing, and localized digital ad insertion.

DSR-4410

The Motorola DSR-4410 is a 1RU commercial satellite receiver that can output either NTSC or PAL video formats, automatically matching a programmer's video format. Variable front-end and bypass capabilities make it suited for network conversion from analog to digital. Full VBI reinsertion on lines 10 - 22 for SID/AMOL I & II and NABTS is standard on the DSR-4410, which is equipped with DVB-ASI input and output.

DSR-4460

The DSR-4460 decodes an MPEG-2 or MPEG-4, HD or SD service and delivers superior video and audio performance via HD/SD-SDI output or analog/composite video output.

DSR-4500X

The Motorola DSR-4500X is an advanced commercial integrated receiver/decoder (IRD). Along with standard audio and video ports, this professional satellite receiver has connections to deliver data services, MPEG-2 transport streams and headend signaling.

DSR-4520X

DigiCipher® II integrated receiver/decoder (IRD) — digital satellite receiver.

DSR-4530

DSR-4550

DigiCipher® II commercial integrated receiver/decoder (IRD) — digital satellite receiver for cable programmers and operators.

DSR-6000

DSR-6050

DSR-6100

DSR-6100 integrated receiver/decoder (IRD) — digital satellite receiver, decoder. The DSR-6100 is used to receive several HD services that are compressed using MPEG-2 and MPEG-4 encoding.

DSR-6300

MBT 5000 System

NE-Series AVC Network Encoder

NE-2000 Network Encryptor

The Motorola NE2000 is a *Network Encryptor* used for MediaCipher encryption of MPEG-2 MPTS or SPTS.

SE-6000

The SE-6000 encoder, designed to meet future 1080p resolutions, accepts baseband SD and HD video, as well as pre-compressed MPEG-4 and MPEG-2 streams to act as both a high performance encoder and transcoder for satellite, cable and Internet Protocol Television (IPTV) applications.

OM-1000 Modulator

The Motorola OM-1000 is an MPEG-2/digital out-of-band multiplexer modulator used to transmit MPEG-2 data streams to cable terminals.

SE-Encoder

SE-2000 Encoder

The Motorola SE-2000 digital video encoder provides video compression technology in a compact chassis for cable headend, small broadcast and high bandwidth contribution applications. The SE-2000 accepts either analog composite or digital CCIR-601 video and performs MPEG-2 compression.

SE-1010/2000/2000IP

The Motorola SE-1010 digital video encoder provides video compression technology in a compact chassis for cable headend and small broadcast applications. The SE-1010 digital encoder accepts either analog composite or digital CCIR-601 video and performs MPEG-2 compression and stream splicing. The video compression data rate can be controlled through the Ethernet port via SNMP.

The Motorola SE-2000 digital video encoder provides video compression technology in a compact chassis for cable headend, small broadcast and high bandwidth contribution

applications. The SE-2000 accepts either analog composite or digital CCIR-601 video and performs MPEG-2 compression.

SE-4000/4010

The SE-4000 SD video encoder delivers AVC compressed MPEG-4 content via existing MPEG-2 transport streams using IP or optional ASI. This encoder is the result of a partnership between Motorola and Modulus Video Inc.

SE-5000/5010

The SE-5000 HD video encoder delivers AVC compressed MPEG-4 content via existing MPEG-2 transport streams using IP or optional ASI. This encoder is the result of a partnership between Motorola and Modulus Video Inc.

SmartStream Encryptor/Modulator (SEM)

The Motorola SmartStream interactive digital cable system consists of an integrated set of high performance stream-processing elements for the deployment of advanced services like VOD and digital ad insertion. The SmartStream system adds functionality to existing digital cable systems with four product families: SmartStream Encryptor/Modulator (SEM), SmartStream Resource Manger (SRM), SmartStream Device Manager (SDM) and SmartStream Transcoder Multiplexer (TMX).

SmartStream Encryptor/Modulator provides the ability to encrypt a large number of services across 8 separate 64 or 256 QAM cable channels. The SEM supports both GigE and ASI transport technology, and can deliver hundreds of individual streams directly to subscribers. SEM encryption is part of Motorola's MediaCipher™ conditional access system.

SmartStream Transport Multiplexer (TMX 2010)

The SmartStream interactive digital cable system consists of an integrated set of high performance stream-processing elements necessary for the successful deployment of advanced services like VOD and digital ad insertion. The SmartStream system adds functionality to existing digital cable systems and adds four new product families: SmartStream Encryptor/Modulator (SEM), SmartStream Resource Manger (SRM), SmartStream Device Manager (SDM) and SmartStream Transcoder Multiplexer (TMX).

The TMX 2010 Transport Multiplexer provides MPEG-2 service multiplexing, grooming, video bitrate transcoding, video splicing, IP data encapsulation, and encoder management for digital broadcast, satellite and cable distribution.

Net Insight

Ordering information

Hardware	New in iControl version	GSM plug-in name	Order number
"Nimbra680 Network Adaptor"		SNMP – Net Insight Nimbra 6800	IC-SNMP-163

Nimbra680 Network Adaptor

The Nimbra 600 series of Media Switch Routers includes an array of carrier-class network switches with integrated media adapters and codecs for transport and processing of professional video, audio and data, with guaranteed quality of service regardless of network load or topology.

Network Electronics Inc.

Please see "[Nevion \(Network Electronics Inc.\)](#)", on page 26.

Nevion (Network Electronics Inc.)

Ordering information

Hardware	New in iControl version	GSM plug-in name	Order number
"GYDA-SC Multi-frame System Controller"		SNMP – Nevion GYDA	IC-SNMP-099
"Multicon Nwork"		SNMP – Nevion	IC-SNMP-164

GYDA-SC Multi-frame System Controller

The GYDA System Controller is an advanced control and monitoring card for the Network Electronics flashlink® system. The card can control and monitor up to 8 flashlink frames (79 modules). It has a standard 10BASE-T Ethernet port, and supports SNMP. The controller module has four GPI inputs and a GPI open collector output.

Multicon Nwork

Multicon is the second generation system controller from Nevion replacing existing GYDA-SC, ETH-CON and Syscon products. Multicon is based on an open and distributed architecture and provides one platform to monitor and control both Flashlink and VikinX products. These features and a powerful third party plug-in interface allow for full control of the entire video transport chain.

PESA Switching Systems (QuStream Group)

Ordering information

Hardware	New in iControl version	GSM plug-in name	Order number
"Cheetah, Tiger, Jaguar, Cougar, Ocelot, Bobcat, and TDM3000 (SNM 35V3)"		SNMP – PESA SNM 35V3	IC-SNMP-086

Cheetah, Tiger, Jaguar, Cougar, Ocelot, Bobcat, and TDM3000 (SNM 35V3)

HD digital routing switchers and multi-rate routers, serial digital routing switchers, analog routing switchers, and large scale Time Division Multiplex (TDM) audio switchers.

Phoenix Broadband Technologies (PBT)

Ordering information

Hardware	New in iControl version	GSM plug-in name	Order number
"ContactAgent GPI"		GPI PBT ContactAgent	IC-SNMP-056

ContactAgent GPI

The Phoenix Broadband Technologies PBT-CA1 is a general purpose status monitoring agent intended to monitor and control equipment that has "contact closure" interface points.

The PBT-CA1 has a general purpose I/O interface consisting of 8 digital inputs that can be monitored for external contact closures, 2 controllable relay contact outputs that can be used to remotely control external equipment, and an RS-485 port that can be programmed to interface with proprietary serial interfaces.

Pinnacle Data Systems Inc. (PDSI)

Ordering information

Hardware	New in iControl version	GSM plug-in name	Order number
"DS130"		SNMP – Pinnacle	IC-SNMP-003

DS130

The DS130 data storage system is an entry-level, carrier-grade data backup solution that provides a single, direct-cable connection to each fixed, internal peripheral.

QLogic

Ordering information

Hardware	New in iControl version	GSM plug-in name	Order number
"SAN Fiber Channel Switches"		SNMP – QLogic SAN Fiber Channel Switches	IC-SNMP-202

SAN Fiber Channel Switches

The QLogic SAN Fiber Channel Switch family comprise a series of Fibre Channel (FC) protocol switches for use as the backbone of storage area networks (SANs).

Quest Controls Inc.

Ordering information

Hardware	New in iControl version	GSM plug-in name	Order number
"TELSEC RM/WM-Series Controller"		SNMP – Quest Telsec WM	IC-SNMP-149

TELSEC RM/WM-Series Controller

The TELSEC RM/WM-series controller is used to monitor/control environmental and access control functions as well as equipment alarming at a remote site.

RGB Networks

Ordering information

Hardware	New in iControl version	GSM plug-in name	Order number
"BNP Broadcast Network Processor"	4.40	SNMP – RGB Networks Broadcast Network Processor	IC-SNMP-191
"MMC Modular Media Converter"	4.40	SNMP – RGB Networks Modular Media Converter	IC-SNMP-192
"SEP 48 Simulcast Edge Processor"		SNMP – RGB SEP 48	IC-SNMP-095

BNP Broadcast Network Processor

The BNP broadcast network processor family of devices perform video processing including grooming, statistical multiplexing, transrating, digital program insertion, emergency alert and operator messaging services, as well as digital graphic overlays.

MMC Modular Media Converter

The MMC modular media converter performs high-density ASI-to-Gigabit Ethernet conversion, thereby facilitating the transition to Gigabit networks.

SEP 48 Simulcast Edge Processor

The SEP 48 Simulcast Edge Processor performs MPEG decoding, NTSC modulation and upconversion of multiple video streams for digital simulcast applications.

Riedel

Ordering information

Hardware	New in iControl version	GSM plug-in name	Order number
"Artist Intercom System"		SNMP – Riedel Artist	IC-SNMP-088

Artist Intercom System

Artist is a matrix platform for intercom and the distribution of analogue and digital audio and TCP/IP data signals. The system consists of a fibre-based network backbone providing a distributed masterless system architecture for live audio and intercom applications.

Rohde & Schwarz

Ordering information

Hardware	New in iControl version	GSM plug-in name	Order number
"AEM100 Emission Multiplexer"	4.40	SNMP – Rohde and Schwarz Aem100	IC-SNMP-187
"Exciter"	4.40	SNMP – Rohde and Schwarz Exciter	IC-SNMP-186

AEM100 Emission Multiplexer

The AEM100 multiplexer enables network operators to expand existing ATSC transmitter networks for ATSC Mobile DTV.

Exciter

Exciter is a multistandard TV exciter, able to process digital and analog signals when operating in ATSC mode.

Ross Video Production Technology

Ordering information

Hardware	New in iControl version	GSM plug-in name	Order number
"openGear Frame and Modules"	4.40	SNMP – Ross OpenGear	IC-SNMP-184

openGear Frame and Modules

openGear Frames, and their modules, are industry standard openGear terminal equipment.

Samsung

Ordering information

Hardware	New in iControl version	GSM plug-in name	Order number
"ME-B Series Commercial Display Monitors"		SNMP – Samsung ME-B Series Monitor	IC-DR-015

ME-B Series Commercial Display Monitors

Samsung's ME-B series of display monitors delivers a high-resolution display and integrated TV tuner for content versatility and control through RS232C and RJ45 ports.

Screen Subtitling Systems Ltd.

Ordering information

Hardware	New in iControl version	GSM plug-in name	Order number
"Polistream Subtitling Product Family"		SNMP – Screen Subtitling	IC-SNMP-137

Polistream Subtitling Product Family

The *Polistream* family of products offers a full range of subtitling solutions including transmission and transcoding, branding and timeshifting, and monitoring and logging. The Polistream product range simplifies the control and management of subtitle and caption delivery by employing modular software and flexible processing platforms. Polistream manages the transmission for any mix of DVB, Teletext, closed caption, Imtext and open subtitles as well as other data including graphics.

SeaChange

Ordering information

Hardware	New in iControl version	GSM plug-in name	Order number
"MediaServer 1200 Multi-Channel SD/HD Video Server"			
"SPOT Ad Insertion System"		SNMP – Seachange SPOT	IC-SNMP-150

MediaServer 1200 Multi-Channel SD/HD Video Server

SPOT Ad Insertion System

The SeaChange Spot System is an automated solution for reliable advertising insertion at the lowest operational expense and highest quality. Using spots loaded through an encoding station and schedules provided from an ad traffic and billing system, the Spot System completes every task necessary for fulfillment without operator intervention.

BML Servers

Please see ["XOR Media \(formerly SeaChange \[Broadcast Division\]\)"](#), on page 37.

MCL Codec Servers

Please see ["XOR Media \(formerly SeaChange \[Broadcast Division\]\)"](#), on page 37.

VOD Server

Please see ["XOR Media \(formerly SeaChange \[Broadcast Division\]\)"](#), on page 37.

Sencore

Ordering information

Hardware	New in iControl version	GSM plug-in name	Order number
"MRD 3187B Receiver/Decoder"		SNMP – Sencore MRD3187B	IC-SNMP-118

MRD 3187B Receiver/Decoder

The MRD 3187B is a modular, configurable receiver/decoder solution, consisting of a system base with a software package. The MRD 3187B supports applications by combining dual-channel processing capability with MPEG2, H.264, 4:2:0, 4:2:2, SD, and HD video decoding. The MRD 3187B also supports features such as DVB-CI and SCTE35/104 messaging support.

ServerTech

Ordering information

Hardware	New in iControl version	GSM plug-in name	Order number
"Switched CDU"			

Switched CDU

SkyStream

Please see "[Ericsson](#)", on page 10.

Snell

Ordering information

Hardware	New in iControl version	GSM plug-in name	Order number
"Snell Routers"		SNMP – Snell Router	IC-SNMP-027
"Snell IQ Modular Interfaces"		SNMP – Snell IQ	IC-SNMP-028

Snell Routers

A router control system supporting a variety of hardware and software control elements.

Snell IQ Modular Interfaces

The IQ Modular product line includes routers for HD/SD digital video and AES/EBU digital audio that can be controlled from a dedicated RCP, a card edge, a front panel or a PC running RollCall network management software. The routers can be interfaced to an external RCP using a GPI module.

RollCall is a PC application enabling remote configuration and control functionality for RollCall-enabled infrastructure hardware.

Sony

Ordering information

Hardware	New in iControl version	GSM plug-in name	Order number
"CART+"			
"9-pin VTR Control (serial control)"			

CART+

9-pin VTR Control (serial control)

Routers that enable control over a remotely controllable VCR or DDR with Sony protocol RS-422. Any 9-pin video device can be controlled by this interface. From your Visual Basic application it also can be used in Visual C, HTML or any other compiler.

Statmon

Ordering information

Hardware	New in iControl version	GSM plug-in name	Order number
"Axess Remote Control (RC) System"	4.30	SNMP – Statmon Axess	IC-SNMP-141

Axess Remote Control (RC) System

Statmon's Axess software is designed to manage NOCs, remote sites and wide ranges of devices regardless of brand or technology. The Axess RC system is a network-based application that remotely monitors devices, networks and systems where automatic control and response is required.

Studer

Ordering information

Hardware	New in iControl version	GSM plug-in name	Order number
"Studer Route 6000"		SNMP – Studer Route 6000 Audio Routing System	IC-SNMP-204

Studer Route 6000

The Studer Route 6000 is a routing and signal processing system based on the SCORE Live DSP core and comprehensive D21m I/O system. The Route 6000 system can accommodate up to 1728x1728 inputs and outputs.

Tampa Microwave

Please see ["Thales Defense & Security, Inc."](#); on page 35.

Tandberg Television

Please see ["Ericsson"](#); on page 10.

Tektronix

Ordering information

Hardware	New in iControl version	GSM plug-in name	Order number
"Medius Application Manager"		SNMP – Tektronix Medius	IC-TEKTRONIX-MEDIUS
"Sentry Video Quality Monitor"		SNMP – Tektronix Sentry	IC-TEKTRONIX-PROBE
"MTM400 MPEG TS Monitor"		SNMP – Tektronix MTM400	IC-SNMP-093
"WFM 7200 Waveform Monitor"		SNMP – Tektronix WFM 7200	IC-SNMP-181
"WVR-Series Waveform Rasterizer"		SNMP – Tektronix WVR611	IC-SNMP-020
		SNMP – Tektronix WVR7200	

Medius Application Manager

Medius offers an advanced reporting package that used to capture detailed QoE information that quickly highlights the top offending programs and/or locations. The reporting capabilities allow each user to generate customized reports that provide as much or as little detail as required, from monthly high-level reports for executive staff to immediate notices for technicians as incidents occur.

MTM400 MPEG TS Monitor

The MTM400 is a real-time MPEG Transport Stream monitor. The MTM400 provides a complete solution for transmission monitoring of MPEG Transport Streams over RF, IP, and ASI interfaces.

Sentry Video Quality Monitor

Tektronix Sentry is a comprehensive video and audio quality monitoring solution for advanced video networks. It enables video service providers to deliver high-quality services while reducing operational expenditures.

WFM 7200 Waveform Monitor

The Tektronix WFM 7200 waveform monitor provides a wide variety of video format support and can also include support for Analog, Digital and Dolby audio formats. The monitoring and measurement capabilities of the WFM7200 provide a comprehensive suite of options and configurations to suit a variety of applications. Within a studio or on-location within a truck, match and balance up to four cameras to insure the look of the production from camera to camera, and scene to scene. For 3D Stereoscopic Monitoring, a variety of different 3D monitoring modes are available to assist you in determining the difference between the *Left Eye* and *Right Eye* views.

WVR-Series Waveform Rasterizer

The Tektronix WVR-series of waveform rasterizers help video content producers verify content quality and make precision content adjustments. In video delivery systems, they help operations staff verify content quality and system reliability, and help engineering staff qualify, install, and maintain video systems. Design and manufacturing engineers developing new video equipment use the waveform monitor for design troubleshooting, functional verification, and manufacturing test.

Terayon

Please see "[Motorola](#)", on page 21.

Thales Defense & Security, Inc.

Ordering information

Hardware	New in iControl version	GSM plug-in name	Order number
"VC1800 Carrier Monitoring System"		SNMP – Tampa Microwave VC 1800	IC-SNMP-120

VC1800 Carrier Monitoring System

(Formerly Tampa Microwave VC1800 Carrier Monitoring System)

The VC1800 Remote Satcom Carrier Monitoring System is an integrated spectrum monitoring solution that indicates when a carrier problem occurs, and provides tools to restore the link. The VC1800 monitors parameters such as signal power, bandwidth and C/No. The system also detects when an interfering signal is present. It can automatically watch carriers and generate an audible alarm or SNMP alert.

TSL (Television Systems Ltd.)

Ordering information

Hardware	New in iControl version	GSM plug-in name	Order number
"MDU Mains Distribution Unit"		SNMP – TSL MDU12	IC-SNMP-094

MDU Mains Distribution Unit

Main Distribution Unit that provides automatic Set Top Box (STB) power cycling. Works with SC-11 Under Monitor Display System Controller. MDU-12-B provides 12-way fused mains distribution from a single input. MDU-12-3E provides remote monitoring of any number of MDUs for input and output status via an Ethernet connection. The unit can be monitored using an SNM interface.

T-VIPS

Ordering information

Hardware	New in iControl version	GSM plug-in name	Order number
"TVG-Series Gateways/CP-Series Processors"	4.40	SNMP – T-VIPS TVG-Series Gateways/CP-Series Processors	IC-SNMP-195

TVG-Series Gateways/CP-Series Processors

CP505 — ATSC Processor

The CP505 ATSC Processor offers flexible ASI, SMPTE 310 and IP network adaptation and advanced Transport Stream processing in a user-friendly and compact 1RU solution.

The CP505 provides an powerful solution for adaptation of MPEG Transport Streams to ATSC broadcast and other transport stream processing applications. The CP505 is offered in two different variants.

The basic model provides format conversion between SMPTE-310M, ASI, transport stream over IP using RJ45 Electrical connections as well as SFP Optical interfaces, SDH and PDH interfaces.

The advanced model offers the basic features plus powerful PID and program filtering with PSIP rebranding and PSI/SI processing.

TVG425 — Transport Stream Gateway

The TVG425 is a transport stream gateway offering real-time contribution and distribution of compressed video over IP networks. It provides transparent handling of up to 8 independent MPEG Transport Streams (TS), flexible interfacing with support for ASI, Ethernet and SONET/SDH, as well as output diversity and input switching capabilities.

Videoframe Inc.

Ordering information

Hardware	New in iControl version	GSM plug-in name	Plug-in order number
"VF0037 GPI VNODE"		GPI VNODE	

VF0037 GPI VNODE

A VNODE™ is a small-scale signal monitoring system used where there are few monitoring points, where the monitoring points are distributed over a wide area, or where centralized monitoring is not a requirement. There are six different models.

The VF0037 GPI VNODE contains relay output GPI capability for generating local alarm responses. It can report defects to an SNMP manager, or respond to defects by setting its own GPI relays.

Wegener Communications

Ordering information

Hardware	New in iControl version	GSM plug-in name	Plug-in order number
"DTV720 Transport Stream Multiplexer"		SNMP – Wegener DTV720	IC-SNMP-097

DTV720 Transport Stream Multiplexer

The Wegener DTV720 provides multiplexing options for small cable operators, allowing them to repackage off-air 8VSB and local ASI streams into their headends.

XOR Media (formerly SeaChange [Broadcast Division])

Ordering information

Hardware	New in iControl version	GSM plug-in name	Plug-in order number
"BML Servers"		SNMP – Seachange BML	IC-SNMP-011.1
"MCL Codec Servers"		SNMP – Seachange MCL	
"VOD Server"		SNMP – Seachange VOD	

BML Servers

XOR Media's Broadcast Media Library (BML)-series of servers is a high-capacity, low cost, scalable, and fault-resilient digital media library.

MCL Codec Servers

XOR Media's MediaClient 6300 (MCL 6300) is a modular and multi-format video server codec that is fully compatible with the XOR Broadcast MediaLibrary 24000ex and the12000ex systems using the latest hardware platform. With its real-time broadcast-grade software codec architecture, an MCL 6300 purchased today for standard definition (SD) services can be easily repurposed for future high definition (HD) use.

XOR Media's MediaClient 8200 is the latest in the series of broadcast-quality modular codecs that offer multi-resolution and multi-format operations, with the best channel density in the market.

Supported Devices

XOR Media (formerly SeaChange [Broadcast Division])

VOD Server



Miranda Technical Support

For technical assistance, please contact the Miranda Technical Support center nearest you:

Americas

Office hours: 9:00 a.m. - 9:00 p.m. (EST)
Telephone: 1-800-224-7882
Fax: +1 514 335 1614
E-mail: support@miranda.com

Asia

Office hours: 9:00 a.m. - 5:00 p.m. (GMT+8)
Telephone: + 852 2539 6987
Fax: + 852 2539 0804
E-mail: asiotech@miranda.com

Europe, Middle East, Africa, UK

Office hours: 9:00 a.m. - 6:00 p.m. (GMT)
Telephone: + 44 118 952 3444
Fax: + 44 118 952 3401
E-mail: eurotech@miranda.com

China

Telephone: + 86 10 5873 1814
E-mail: asiotech@miranda.com

France

Office hours: 9:00 a.m. - 5:00 p.m. (GMT + 1)
Telephone: + 33 1 55 86 87 88
Fax: + 33 1 55 86 00 29
E-mail: eurotech@miranda.com

EMERGENCY After Hours (Global)

Toll Free: 1-800-224-7882 (US and Canada)
Telephone: +1 514 333 1772

Corporate Head Office

Miranda Technologies Partnership
3499 Douglas-B.-Floreani, St-Laurent, Québec, Canada H4S 2C6
Telephone: +514 333 1772
Fax: +514 333 9828
Web: www.miranda.com

